

**耗尽关机变换器**

**Depleted Shutdown Converter**

**CY-0017系列**

本变换器与CE5系列光电式耗尽关机传感器配套使用，它采用优质低耗CMOS管电路和可靠继电器，向传感器每个光源独立供电并输出耗尽关机信号供关机、遥测和测试用。

**性能指标**

向传感器光源供电：6.0 ± 0.5V, 15 ~ 20mA

向后续部件输出：提供三对常开触点信号

工作温度：-40~+60℃ 耐温度冲击100 ± 2℃ 5min

接插件：与传感器相连为插座Y11P-1832，与控制

系统相连为插座Y2-19ZJBM或LM1230R14-37P1

湿度：40 ± 2℃，95% ± 2% 72h

过载：15g 三向

低气压：常压 ~ 1.3X10<sup>-3</sup> Pa

运输：三级公路 1500km 40km/h

电源拉偏：在常温，高温，低温下27 ± 3V

电压冲击：38V 10s

接点分配（见表1，表2）

It is made of high quality low consumption CMOS circuit and reliable relay, which supply independent power to each light source of the sensor and output depleted shutdown signals for shutdown, telemetry, and test.

**Performance index**

Power supply of light source of sensor: 6.0 ± 0.5V, 15 ~ 20mA

Subsequent parts output : provide Three of the normally open contact signal

Working temperature: -40~+60℃ impact of temperature resistance 100 ± 2℃ 5min

Connector assembly: Socket Y11P-1832 connect with sensor, socket Y2-19ZJBM connect with control system.

Humidity: 40 ± 2℃, 95% ± 2% 72h

Overload: 15g three-dimension

Low air pressure: normal pressure ~ 1.3X10<sup>-3</sup> Pa

Transportation: tertiary highways 1500km 40km/h

Power deflection: 27 ± 3V in normal, high and low temperature.

Voltage impact: 38V 10s

Distribution of contact (see table 1,2)

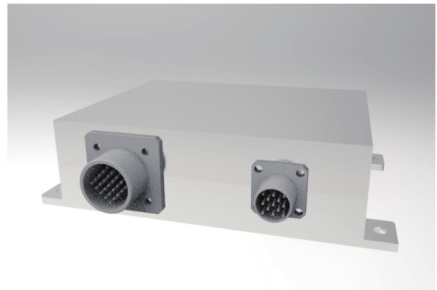
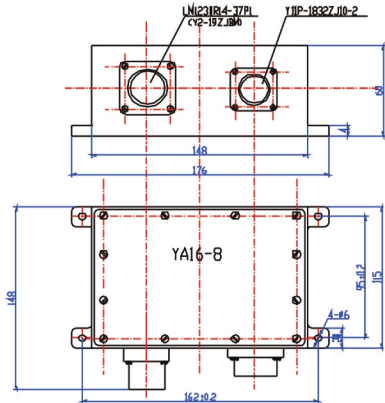


表1 table 1

字 样 model	接点号 contact no	用 途 applicationcon	接点号 contact no	用 途 applicationcon
Y2-19ZJ或 LM1230R 14-37P1	3,4	+27V电源 +27V power	8,19	电源负端 Negative end of power
	5,6	+27V传感器光源 +27V light source of sensor	11,12	关机信号 Turn off the signal
	8,9和13,14	遥测信号触点 Telemetry signal contact	10和1	第一路测试触点 The first test contact
	1和2	第二路测试触点 The second test contact	2和7	第三路测试触点 The third test contact I
	7和17	第四路测试触点 The fourth test contact		

表2 table 2

字 样 model	接点号 contact no	用 途 applicationcon	接点号 contact no	用 途 applicationcon
Y11P-1832	3,4	传感器第一路光电管集电极 1st phototube collector of sensor	8,19	传感器第一路光电管发射极 1st phototube sender of sensor
	8,9	传感器第一路发光管正极 1st positive electrode of luminescent tube	11,12	传感器第一路发光管负极 1st negative electrode of luminescent tube
	12,13	传感器第二路光电管集电极 2nd phototube collector of sensor	10和1	传感器第二路光电管发射极 2nd phototube sender of sensor
	7,30	传感器第二路发光管正极 2nd positive electrode of luminescent tube	2和7	传感器第二路发光管负极 2nd negative electrode of luminescent tube
	18,19	传感器第三路光电管集电极 3rd phototube collector of sensor	2和7	传感器第三路光电管发射极 3rd phototube sender of sensor
	22,23	传感器第三路发光管正极 3rd positive electrode of luminescent tube	2和7	传感器第三路发光管负极 The third test contact
	26,27	传感器第四路光电管集电极 4th phototube collector of sensor	10和1	传感器第四路光电管发射极 4th phototube sender of sensor
	31,32	传感器第四路发光管正极 4th positive electrode of luminescent tube	2和7	传感器第四路发光管负极 4th negative electrode of luminescent tube